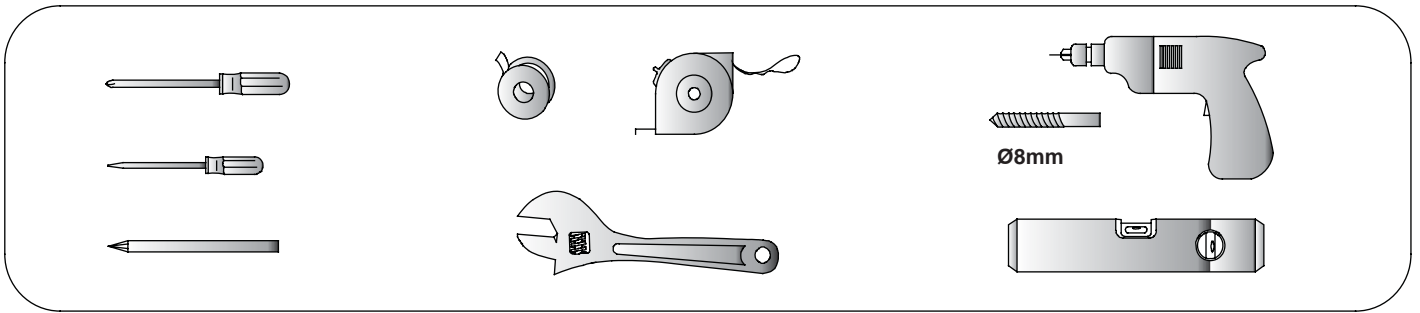
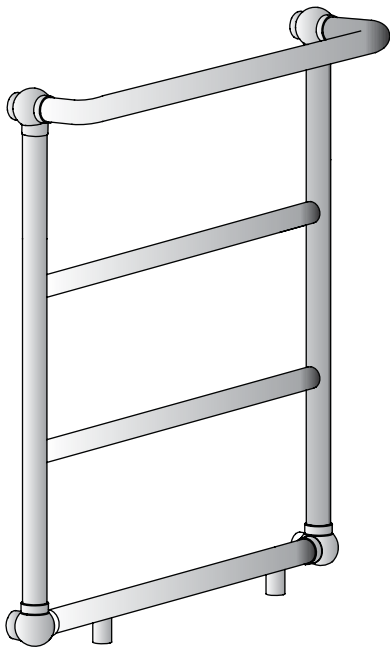


Tools required:



Parts supplied:



12x
ST4.8 * 45mm

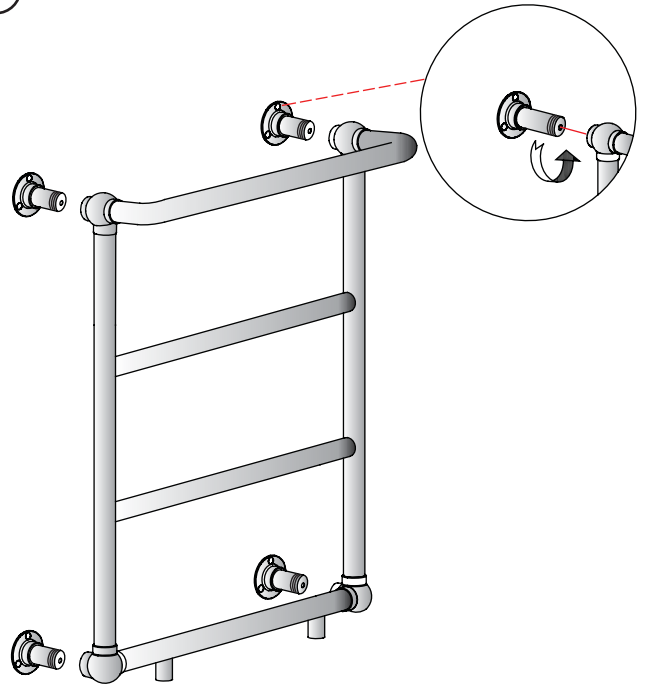
12x

2x

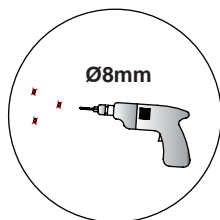
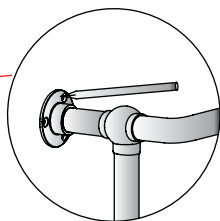
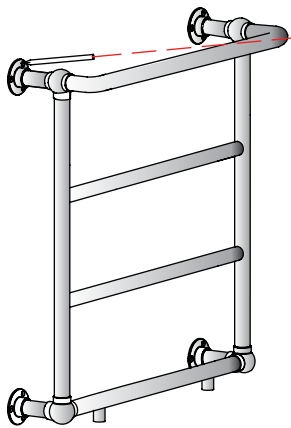
1x

4x

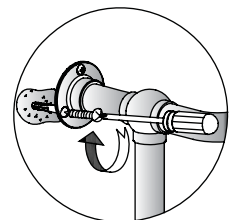
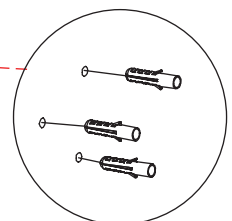
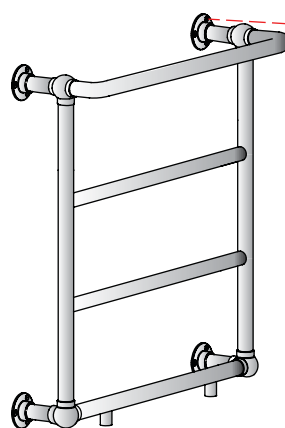
1



2 Installation position is determined by installer.

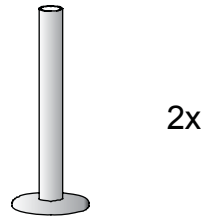
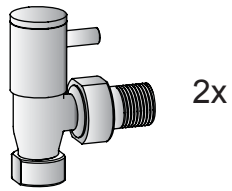


3

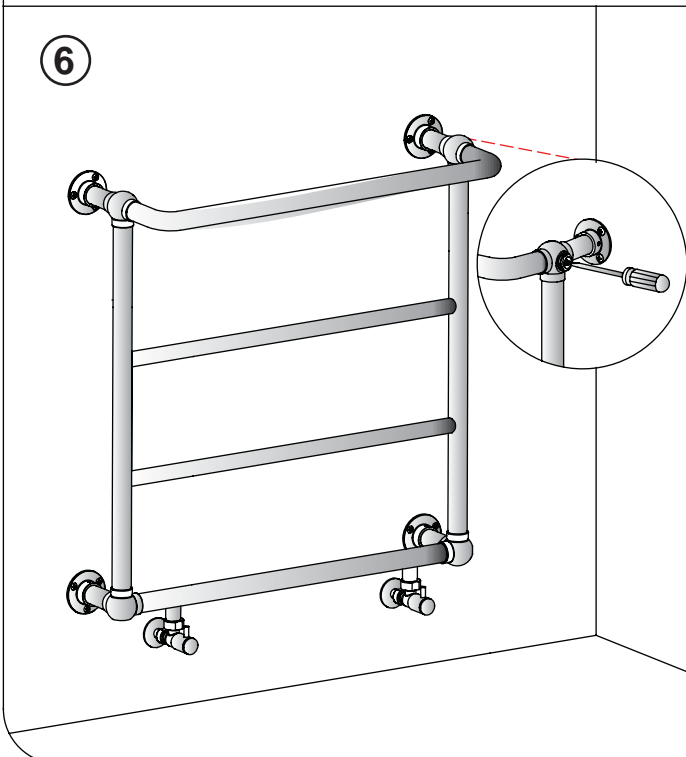
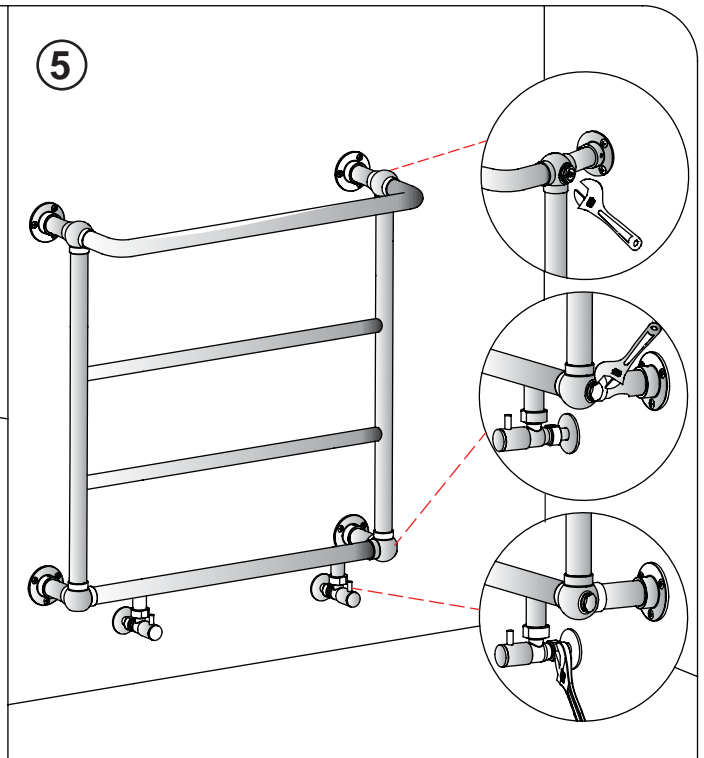
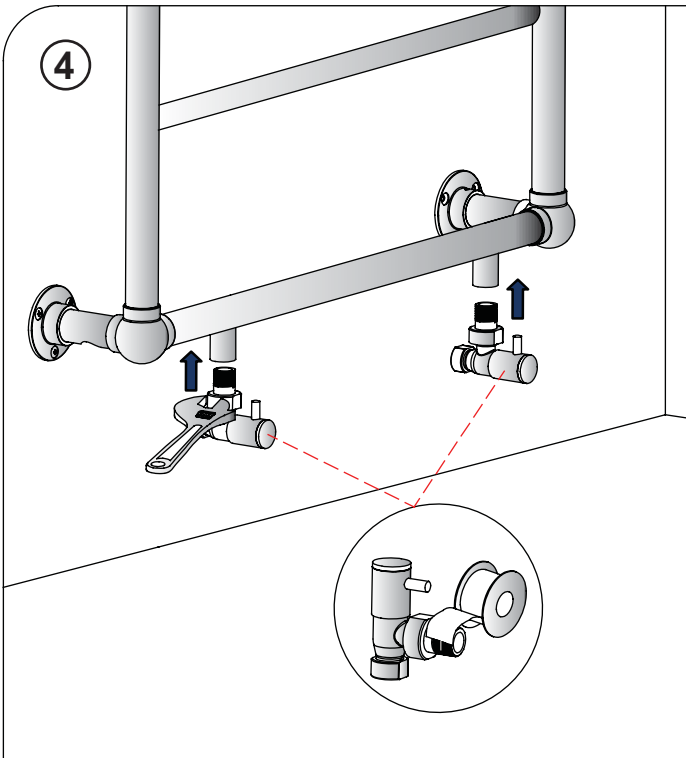


Heated with the central heating system

Parts required:



The diagrams of control valve and the connecting pipe as shown above are for reference only, and should be purchased separately.

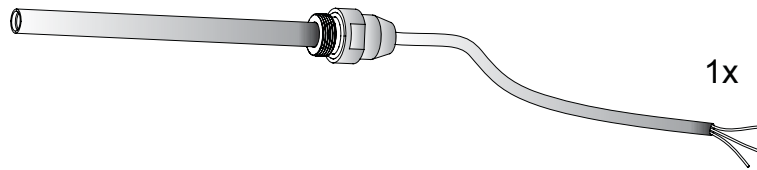


After installation ...

- Use a screwdriver to open the air vent, open the inlet valve and let the water rush into the radiator. Check all connections for leaks.
- Once water overflows from the air vent, there is no air in the tube, use a screwdriver to close the air vent. Turn on the outlet valve and the radiator is ready for use.

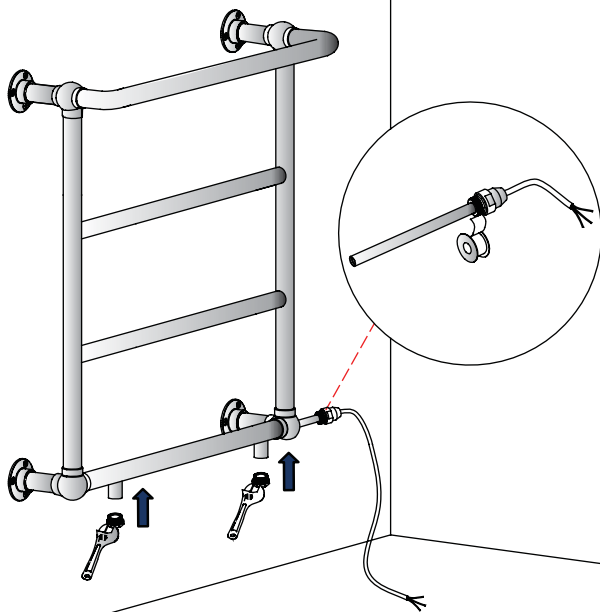
Heated with the summer electric heating kit only

Parts required:



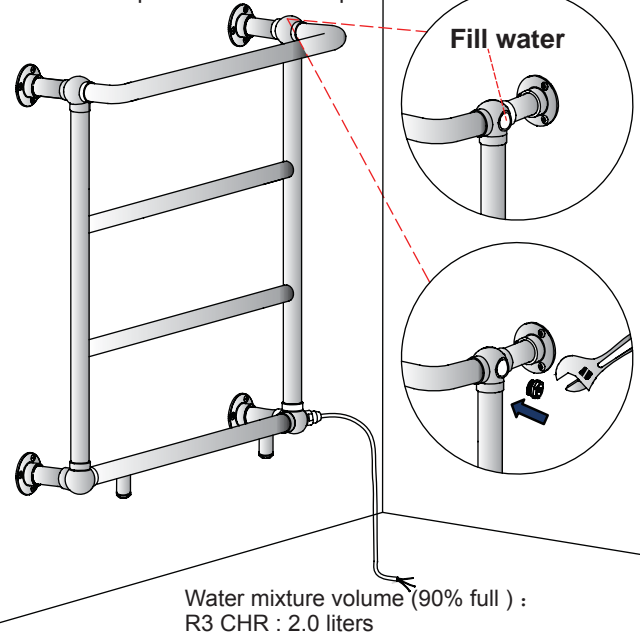
The diagram of the summer electric heating kit as shown above is for reference only, and can be purchased separately.

4



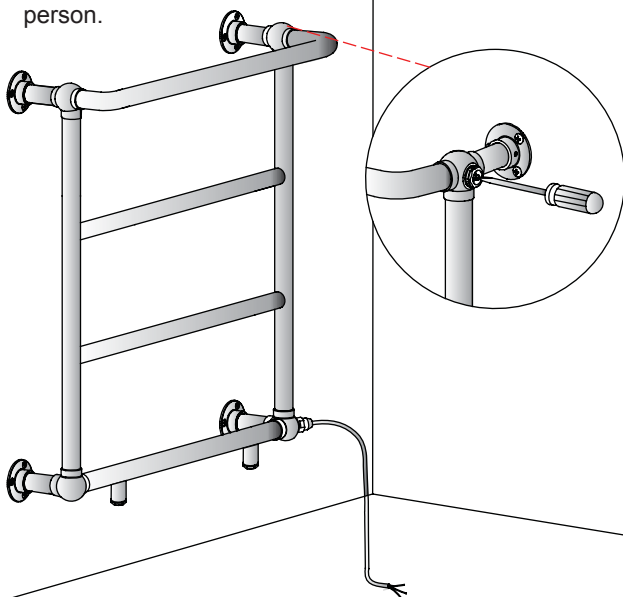
5

If the radiator is to be used for electric heating only (not connected to a central heating system), then seal the bottom inlet / outlet nipples with the blanking plugs. Fill the radiator approximately 90% with a water mixture containing a rust inhibitor – failure to do this will lead to leaking as the radiator rusts from the inside. Filling with more than 90% liquid will lead to leaking as the water mixture expands as it heats up.



6

Connect to the electric supply via a fused spur. Then check for leaks. At all times follow the installation instructions supplied with the Summer Electric Heating kit. All electric work must be done by a suitably qualified person.

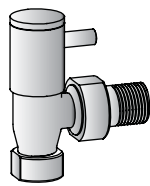


After installation ...

- Use a screwdriver to open the air vent, heating the liquid inside radiator till summer heating kit stop working, once no liquid flowing out from the air vent, use a screwdriver to close the air vent, then the radiator is ready for use!

Dual source connect to central heating system and with a summer electric heating kit

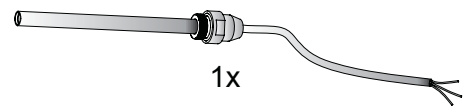
Parts required:



2x

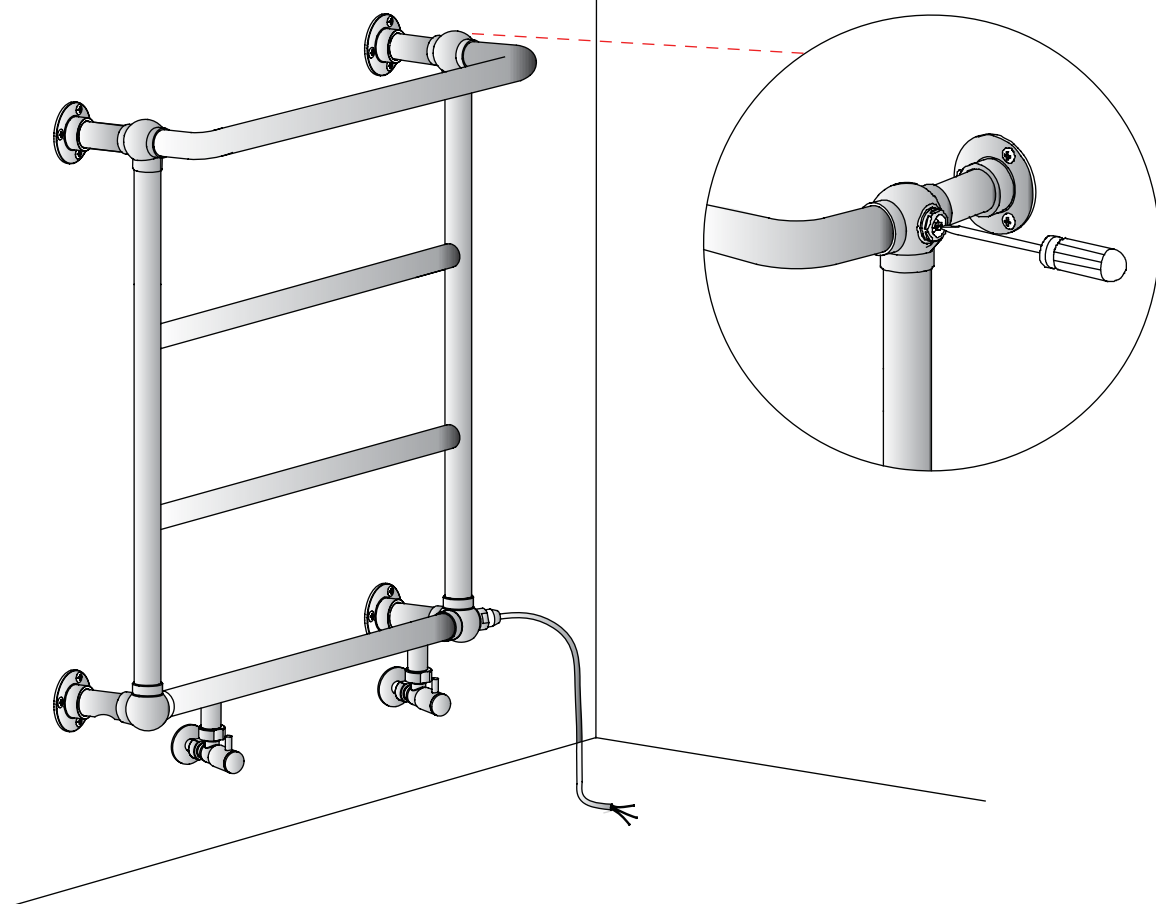


2x



1x

The diagrams of control valve, the connecting pipe and the summer electric heating kit as shown above are for reference only, and should be purchased separately.



Connect to the electric supply via a fused spur. Then check for leaks. At all times follow the installation instructions supplied with the Summer Electric Heating kit. All electric work must be done by a suitably qualified person.

If this radiator used as a dual source connected to central heating system and with a summer electric heating kit fitted:

- While use central heating system, power supply must be shut off, and release the air in radiator as described in page 3.
- While use summer electric heating kit only, turn off the inlet and outlet valves, and make sure the liquid in the radiator is approximately 90% - failure to do this will lead to leaking as radiator rusts from the inside, more than 90% liquid will lead to leaking as liquid expands as it heats up. And release the air in radiator as described in page 4.