

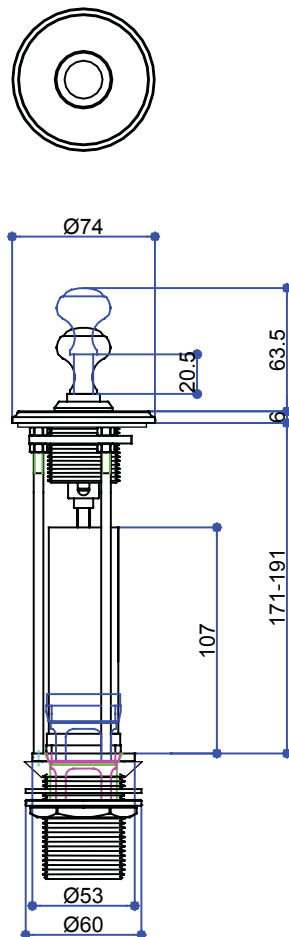
INSTALLATION INSTRUCTIONS

Classic basin invisible overflow & waste - **W9**

Important

- We recommend that this product is installed by a qualified professional contractor. Such as a plumber who is certified by NVQ (National Vocational Qualification) or SNVQ (Scottish National Vocational Qualification) Level 3.
- Please check this product immediately to ensure that it has not been damaged and is complete. Before installation, please make sure this product is the correct model and you have all the parts required for installation and using.
- Turn off water supply before commencing work, this should be done at the isolating valves of inlet feeds if fitted or main stopcock.
- Please read these instructions carefully and keep it for future reference.

Dimension

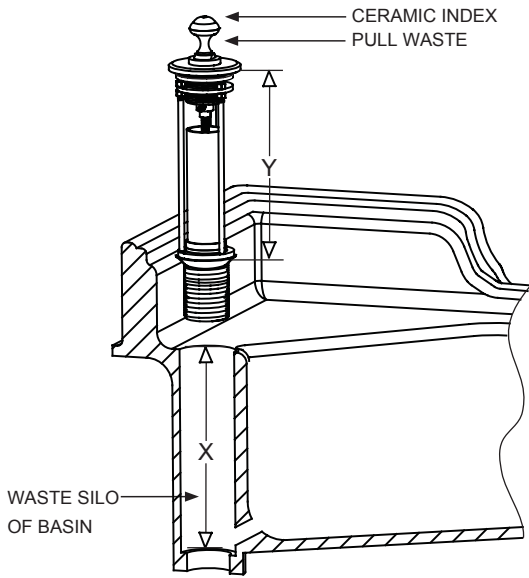


Maintenance

We do NOT recommend you use any household cleaners to clean the product. Because these cleaners change substance or formula too frequently. The product should be always cleaned only with soapy water and rinsed with clean water and dried with a soft cloth. **Excess soap suds should be wiped clean with a damp cloth.**

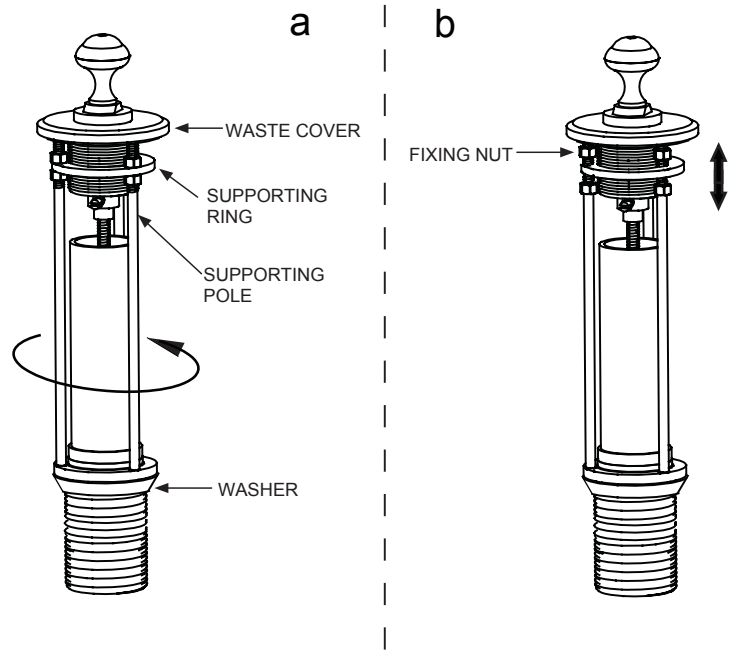
Installation

1



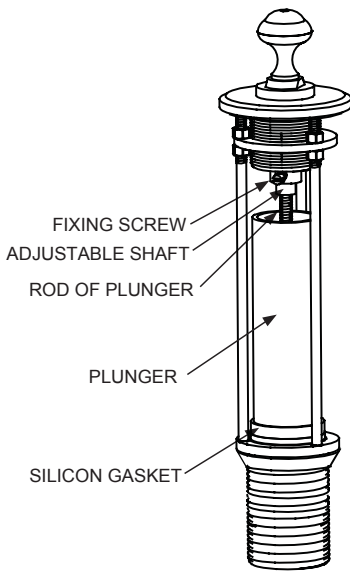
- Measure the depth of the waste hole, say Xmm.
- Measure the depth of the waste (from the bottom of gasket to the underside of the lid), say Ymm.

2



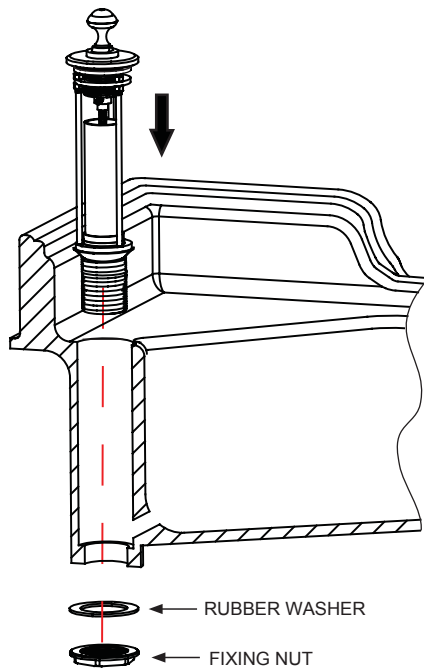
- If $X=Y$, then go to step 3.
- If $X<Y$, then adjust Y by following diagram a, or b, or both, to ensure the adjusted waste height is the same as X.
- If $X>Y$, then vice versa.

3



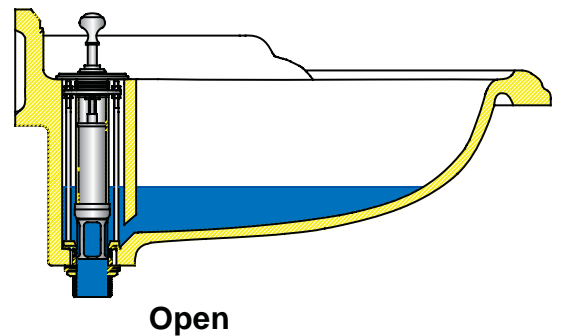
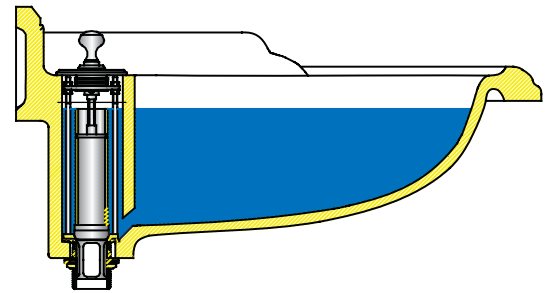
- Check if the silicon gasket on the plunger fully sits on the waste. If yes, go to step 4, otherwise, adjust the plunger as below:
 1. Loosen the fixing screw.
 2. Hold the plunger, turn the adjustable shaft anti-clockwise.
 3. Tighten the fixing screw.

4



- Install the waste.

Operation



To operate the waste lift and turn to open , lift and turn to close.